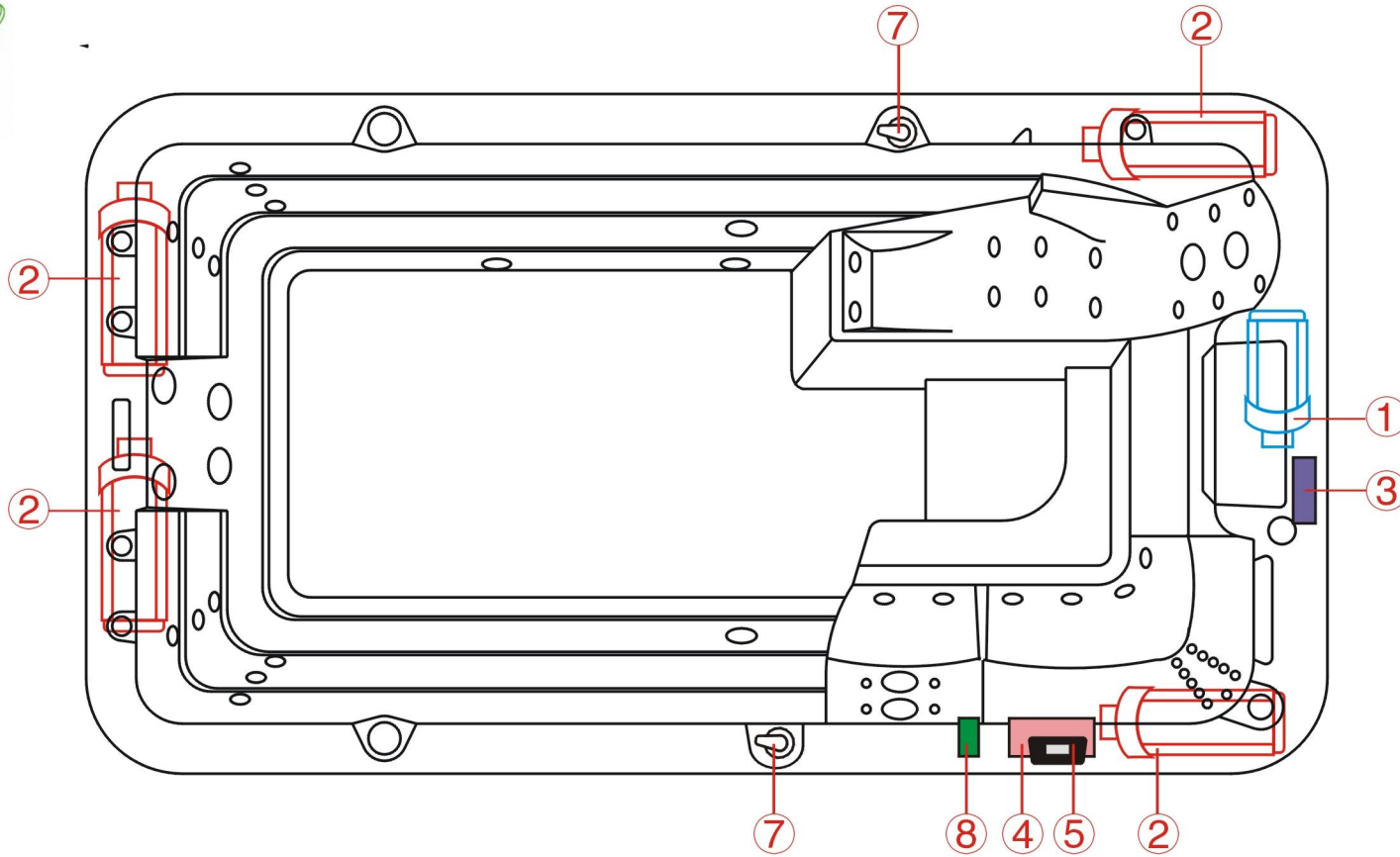


SKT339C



① Circulation Pump

② Massage Pump

③ Heater

④ Control Box

⑤ Control Panel

⑥ Air Regulator

⑦ Regulator Valve

⑧ Ozone